

Crimp contacts



Crimp contacts

Crimp contacts 5A (for HM,EMC-008,D-SUB,HR23 inserts)

Contact resistance $\leq 3m\Omega$

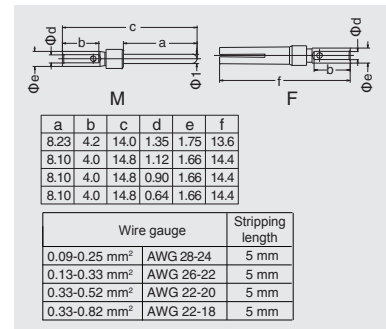
silver plated



gold plated



Male	Designation	Female	Designation
CSSM-0.25	08121171100	CSSF-0.25	08121172100
CSSM-0.33	08121173100	CSSF-0.33	08121174100
CSSM-0.52	08121175010	CSSF-0.52	08121176010
CSSM-0.82	08121177100	CSSF-0.82	08121178100
CSGM-0.25	08121171000	CSGF-0.25	08121172000
CSGM-0.33	08121173000	CSGF-0.33	08121174000
CSGM-0.52	08121175000	CSGF-0.52	08121176000
CSGM-0.82	08121177000	CSGF-0.82	08121178000



Crimp contacts 10A (for HD,HDD,HM,HK,HQ inserts)

Contact resistance $\leq 3m\Omega$

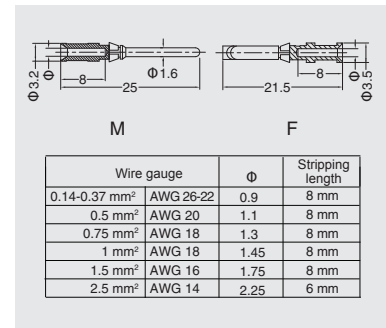
silver plated



gold plated



Male	Designation	Female	Designation
CDSM-0.37	08121101000	CDSF-0.37	08121102000
CDSM-0.5	08121103000	CDSF-0.5	08121104000
CDSM-0.75	08121105000	CDSF-0.75	08121106000
CDSM-1.0	08121107000	CDSF-1.0	08121108000
CDSM-1.5	08121109000	CDSF-1.5	08121110000
CDSM-2.5	08121111000	CDSF-2.5	08121112000
CDGM-0.37	08121101010	CDGF-0.37	08121102010
CDGM-0.5	08121103010	CDGF-0.5	08121104010
CDGM-0.75	08121105010	CDGF-0.75	08121106010
CDGM-1.0	08121107010	CDGF-1.0	08121108010
CDGM-1.5	08121109010	CDGF-1.5	08121110010
CDGM-2.5	08121111010	CDGF-2.5	08121112010



Crimp contacts 10A, take two claws support (for HD,HDD,HM,HK,HQ inserts)

Contact resistance $\leq 3m\Omega$

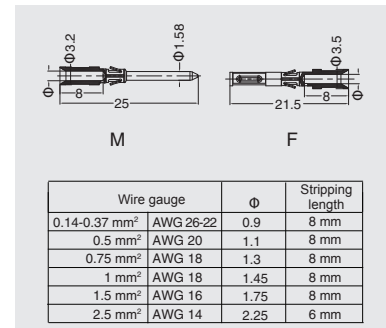
silver plated



gold plated



Male	Designation	Female	Designation
CDSM-0.37B	08121101030	CDSF-0.37B	08121102030
CDSM-0.5B	08121103030	CDSF-0.5B	08121104030
CDSM-0.75B	08121105030	CDSF-0.75B	08121106030
CDSM-1.0B	08121107030	CDSF-1.0B	08121108030
CDSM-1.5B	08121109030	CDSF-1.5B	08121110030
CDSM-2.5B	08121111030	CDSF-2.5B	08121112030
CDGM-0.37B	08121101040	CDGF-0.37B	08121102040
CDGM-0.5B	08121103040	CDGF-0.5B	08121104040
CDGM-0.75B	08121105040	CDGF-0.75B	08121106040
CDGM-1.0B	08121107040	CDGF-1.0B	08121108040
CDGM-1.5B	08121109040	CDGF-1.5B	08121110040
CDGM-2.5B	08121111040	CDGF-2.5B	08121112040



Crimp contacts 10A, take three claws support (for HD,HDD,HM,HK,HQ inserts)

Contact resistance $\leq 3m\Omega$

silver plated

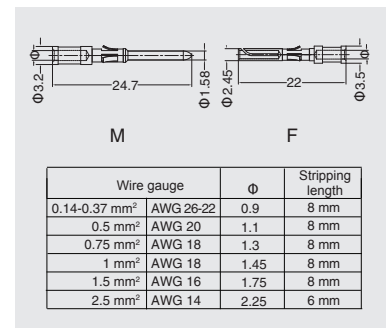


gold plated



Can not be compared use with above two 10A Crimp contacts.

Male	Designation	Female	Designation
ZCDSM-0.37	08121101006	ZCDSF-0.37	08121102006
ZCDSM-0.5	08121103006	ZCDSF-0.5	08121104006
ZCDSM-0.75	08121105006	ZCDSF-0.75	08121106006
ZCDSM-1.0	08121107006	ZCDSF-1.0	08121108006
ZCDSM-1.5	08121109006	ZCDSF-1.5	08121110006
ZCDSM-2.5	08121111006	ZCDSF-2.5	08121112006
ZCDGM-0.37	08121101016	ZCDGF-0.37	08121102016
ZCDGM-0.5	08121103016	ZCDGF-0.5	08121104016
ZCDGM-0.75	08121105016	ZCDGF-0.75	08121106016
ZCDGM-1.0	08121107016	ZCDGF-1.0	08121108016
ZCDGM-1.5	08121109016	ZCDGF-1.5	08121110016
ZCDGM-2.5	08121111016	ZCDGF-2.5	08121112016



Thermocouple crimp contacts 10A (IEC 584 type J)

Contact resistance $\leq 3m\Omega$

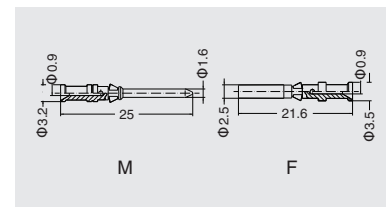
constantan



iron;gold plated



Male	Designation	Female	Designation
CDNM-0.37CuNi	08121101600	CDNF-0.37CuNi	08121102600
CDGM-0.37Fe	08121101510	CDGF-0.37Fe	08121102510



Crimp contacts.

Crimp contacts 16A (for HAC,HEC,HEE,HM,HK inserts)

Contact resistance ≤ 1mΩ

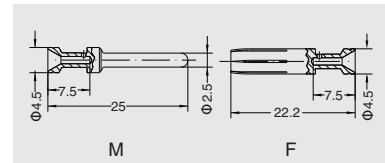
silver plated



gold plated



Male	Order No.	Female	Order No.
CESM-0.37	08121131000	CESF-0.37	08121132000
CESM-0.5	08121133000	CESF-0.5	08121134000
CESM-0.75	08121135000	CESF-0.75	08121136000
CESM-1.0	08121137000	CESF-1.0	08121138000
CESM-1.5	08121139000	CESF-1.5	08121140000
CESM-2.5	08121141000	CESF-2.5	08121142000
CESM-3.0	08121143000	CESF-3.0	08121144000
CESM-4.0	08121145000	CESF-4.0	08121146000
CEGM-0.37	08121131010	CEGF-0.37	08121132010
CEGM-0.5	08121133010	CEGF-0.5	08121134010
CEGM-0.75	08121135010	CEGF-0.75	08121136010
CEGM-1.0	08121137010	CEGF-1.0	08121138010
CEGM-1.5	08121139010	CEGF-1.5	08121140010
CEGM-2.5	08121141010	CEGF-2.5	08121142010
CEGM-3.0	08121143010	CEGF-3.0	08121144010
CEGM-4.0	08121145010	CEGF-4.0	08121146010



Identification	Wire gauge	Stripping length	
no groove	0.14-0.37 mm ²	AWG 26-22	7.5mm
no groove	0.5 mm ²	AWG 20	7.5mm
1 groove	0.75 mm ²	AWG 18	7.5mm
1 groove	1 mm ²	AWG 18	7.5mm
2 groove	1.5 mm ²	AWG 16	7.5mm
3 groove	2.5 mm ²	AWG 14	7.5mm
wide groove	3 mm ²	AWG 12	7.5mm
no groove	4 mm ²	AWG 12	7.5mm

Crimp contacts 16A (with crown contact)(for HAC,HEC,HEE,HM,HK inserts)

Contact resistance ≤ 1mΩ

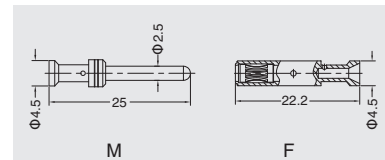
silver plated



gold plated



Male	Order No.	Female	Order No.
CESM-0.37	08121131000	CESF-0.37G	08121132200
CESM-0.5	08121133000	CESF-0.5G	08121134200
CESM-0.75	08121135000	CESF-0.75G	08121136200
CESM-1.0	08121137000	CESF-1.0G	08121138200
CESM-1.5	08121139000	CESF-1.5G	08121140200
CESM-2.5	08121141000	CESF-2.5G	08121142200
CESM-3.0	08121143000	CESF-3.0G	08121144200
CESM-4.0	08121145000	CESF-4.0G	08121146200
CEGM-0.37	08121131010	CEGF-0.37G	08121132210
CEGM-0.5	08121133010	CEGF-0.5G	08121134210
CEGM-0.75	08121135010	CEGF-0.75G	08121136210
CEGM-1.0	08121137010	CEGF-1.0G	08121138210
CEGM-1.5	08121139010	CEGF-1.5G	08121140210
CEGM-2.5	08121141010	CEGF-2.5G	08121142210
CEGM-3.0	08121143010	CEGF-3.0G	08121144210
CEGM-4.0	08121145010	CEGF-4.0G	08121146210



Identification	Wire gauge	Stripping length	
no groove	0.14-0.37 mm ²	AWG 26-22	7.5mm
no groove	0.5 mm ²	AWG 20	7.5mm
1 groove	0.75 mm ²	AWG 18	7.5mm
1 groove	1 mm ²	AWG 18	7.5mm
2 groove	1.5 mm ²	AWG 16	7.5mm
3 groove	2.5 mm ²	AWG 14	7.5mm
wide groove	3 mm ²	AWG 12	7.5mm
no groove	4 mm ²	AWG 12	7.5mm

Crimp contacts 16A (with crown contact, take three claws support) (for HE-006-MC/N/FC/N, HE-046-MC/N/FC/N inserts)

Contact resistance ≤ 1mΩ

silver plated

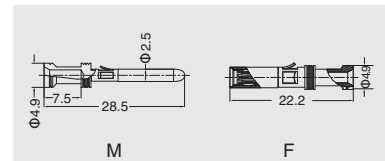


gold plated



Can not be compatible use with above two 10A Crimp contacts.
Male contact removal tool: TL00
Female contact removal tool: TL09

Male	Order No.	Female	Order No.
CESM-0.37/N	08121131008	CESF-0.37G/N	08121132008
CESM-0.5/N	08121133008	CESF-0.5G/N	08121134008
CESM-0.75/N	08121135008	CESF-0.75G/N	08121136008
CESM-1.0/N	08121137008	CESF-1.0G/N	08121138008
CESM-1.5/N	08121139008	CESF-1.5G/N	08121140008
CESM-2.5/N	08121141008	CESF-2.5G/N	08121142008
CESM-3.0/N	08121143008	CESF-3.0G/N	08121144008
CESM-4.0/N	08121145008	CESF-4.0G/N	08121146008
CEGM-0.37/N	08121131018	CEGF-0.37G/N	08121132018
CEGM-0.5/N	08121133018	CEGF-0.5G/N	08121134018
CEGM-0.75/N	08121135018	CEGF-0.75G/N	08121136018
CEGM-1.0/N	08121137018	CEGF-1.0G/N	08121138018
CEGM-1.5/N	08121139018	CEGF-1.5G/N	08121140018
CEGM-2.5/N	08121141018	CEGF-2.5G/N	08121142018
CEGM-3.0/N	08121143018	CEGF-3.0G/N	08121144018
CEGM-4.0/N	08121145018	CEGF-4.0G/N	08121146018



Identification	Wire gauge	Stripping length	
no groove	0.14-0.37 mm ²	AWG 26-22	7.5mm
no groove	0.5 mm ²	AWG 20	7.5mm
1 groove	0.75 mm ²	AWG 18	7.5mm
1 groove	1 mm ²	AWG 18	7.5mm
2 groove	1.5 mm ²	AWG 16	7.5mm
3 groove	2.5 mm ²	AWG 14	7.5mm
wide groove	3 mm ²	AWG 12	7.5mm
no groove	4 mm ²	AWG 12	7.5mm

Thermocouple crimp contacts 16A (IEC 584 type J)

Contact resistance ≤ 1mΩ

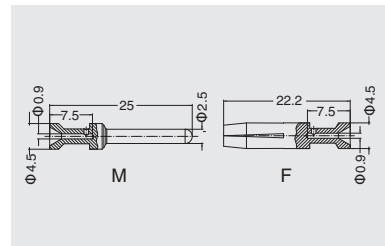
constantan



iron:gold plated



Male	Order No.	Female	Order No.
CENM-0.37CuNi	08121131600	CENF-0.37CuNi	08121132600
CENM-0.50CuNi	08121133600	CENF-0.50CuNi	08121134600
CEGM-0.37Fe	08121131510	CEGF-0.37Fe	08121132510
CEGM-0.50Fe	08121133510	CEGF-0.50Fe	08121134510



Crimp contacts.

Crimp contacts 40A (for HM,HK inserts)

Contact resistances ≤ 0.3mΩ

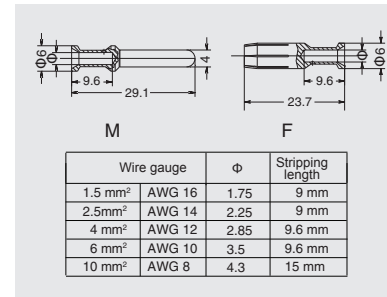
silver plated



gold plated



Male	Order No.	Female	Order No.
CCSM-1.5	08121151000	CCSF-1.5	08121161000
CCSM-2.5	08121152000	CCSF-2.5	08121162000
CCSM-4.0	08121153000	CCSF-4.0	08121163000
CCSM-6.0	08121154000	CCSF-6.0	08121164000
CCSM-10.0	08121155000	CCSF-10.0	08121165000
CCGM-1.5	08121151010	CCGF-1.5	08121161010
CCGM-2.5	08121152010	CCGF-2.5	08121162010
CCGM-4.0	08121153010	CCGF-4.0	08121163010
CCGM-6.0	08121154010	CCGF-6.0	08121164010
CCGM-10.0	08121155010	CCGF-10.0	08121165010



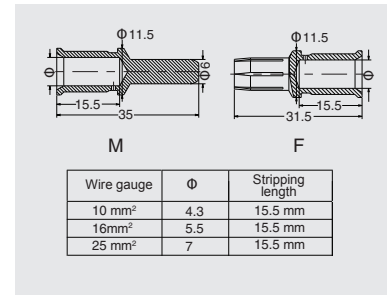
Crimp contacts 70A (for HM inserts)

Contact resistances ≤ 0.5mΩ

silver plate



Male	Order No.	Female	Order No.
CKSM70-10	08121069100	CKSF70-10	08121070100
CKSM70-16	08121071100	CKSF70-16	08121072100
CKSM70-25	08121073100	CKSF70-25	08121074100



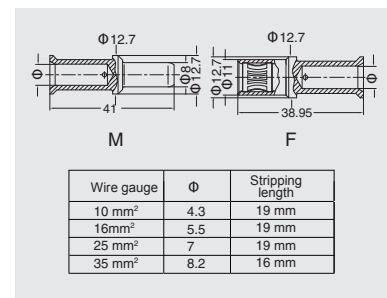
Crimp contacts 100A (with crown contact) (for HM,HK inserts)

Contact resistances ≤ 0.3mΩ

silver plate



Male	Order No.	Female	Order No.
CKSM-10	08121069000	CKSF-10G	08121070200
CKSM-16	08121071000	CKSF-16G	08121072200
CKSM-25	08121073000	CKSF-25G	08121074200
CKSM-35	08121075000	CKSF-35G	08121076200
		Slot structure	
		CKSF-10	08121070000
		CKSF-16	08121072000
		CKSF-25	08121074000
		CKSF-35	08121076000



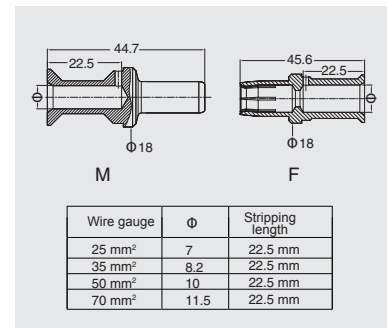
Crimp contacts 200A (for HM inserts)

Contact resistances ≤ 0.3mΩ

silver plate



Male	Order No.	Female	Order No.
CHSM200-25	8121401100	CHSF200-25	08121402200
CHSM200-35	8121403100	CHSF200-35	08121404200
CHSM200-50	8121405100	CHSF200-50	08121406200
CHSM200-70	8121407100	CHSF200-70	08121408200

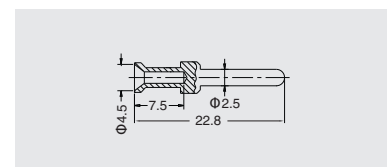


Relay contact

silver plate



Wire gauge(mm ²)	Designation	Order No.
1	CESM-1.0R	08121137300
1.5	CESM-1.5R	08121139300
2.5	CESM-2.5R	08121141300



contacts

Crimp contacts.

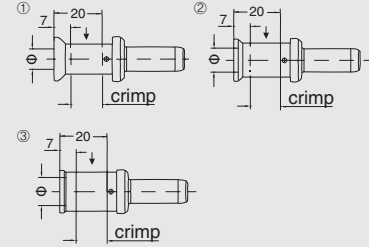
Crimp contacts 250A (with crown contact)(for HC250 inserts)

Contact resistance $\leq 0.3\text{m}\Omega$

silver plated



NO.	Male	Order No.	Female	Order No.
①	CHSM250-35	08121421000	CHSF250-35G	08121422000
②	CHSM250-50	08121423000	CHSF250-50G	08121424000
③	CHSM250-70	08121425000	CHSF250-70G	08121426000

For stranded wire acc. to IEC 60 228-5
Crimp zone acc. to DIN 46 235

NO.	Wire gauge	Φ	Stripping length
①	35 mm ²	8.45 mm	22 mm
②	50 mm ²	10.25mm	22 mm
③	70 mm ²	11.75 mm	22 mm

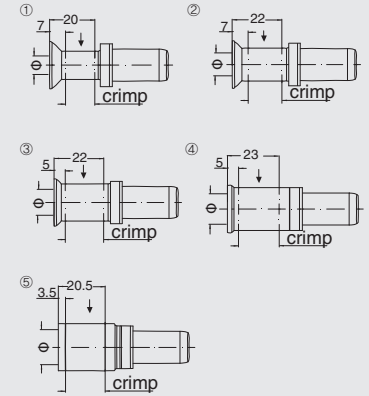
Crimp contacts 350A (with crown contact)(for HC350 inserts)

Contact resistance $\leq 0.3\text{m}\Omega$

silver plated



NO.	Male	Order No.	Female	Order No.
①	CHSM350-35	08121501000	CHSF350-35G	08121502000
②	CHSM350-50	08121503000	CHSF350-50G	08121504000
③	CHSM350-70	08121505000	CHSF350-70G	08121506000
④	CHSM350-95	08121507000	CHSF350-95G	08121508000
⑤	CHSM350-120	08121509000	CHSF350-120G	08121510000

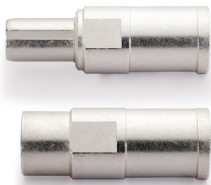
For stranded wire acc. to IEC 60 228-5
Crimp zone acc. to DIN 46 235

NO.	Wire gauge	Φ	Stripping length
①	35 mm ²	8.45mm	26 mm
②	50 mm ²	10.0mm	28 mm
③	70 mm ²	11.5 mm	28 mm
④	95 mm ²	13.5 mm	30 mm
⑤	120 mm ²	15.5 mm	24 mm

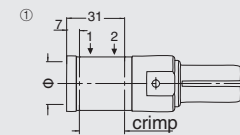
Crimp contacts 650A (with crown contact)(for HC650 inserts)

Contact resistance $\leq 0.3\text{m}\Omega$

silver plated



NO.	Male	Order No.	Female	Order No.
①	CHSM650-240	08121601000	CHSF650-240G	08121602000

For stranded wire acc. to IEC 60 228-5
Crimp zone acc. to DIN 46 235

NO.	Wire gauge	Φ	Stripping length
①	240 mm ²	22.5 mm	46 mm