



# TRANSFORMERS SAFE AND RELIABLE

- Approvals for the global market
- Flexible and versatile
- Customized solutions

## MTS, MST, MET OR MTL – THE RIGHT TRANSFORMER FOR EVERY APPLICATION

Different situations require different voltages. Transformers have to be just as flexible as the application. Murrelektronik's range provides you with the flexibility you need! No matter if it's an isolation transformer, control transformer, or safety transformer – we have the right solution for any application. Murrelektronik's transformers are reliable, safe and their approvals and voltage ranges make them ideal for worldwide use.

### Transformers



#### MTS – Isolation class T 40/B

- Nominal power rating: 40...250 VA
- Input voltage: 230, 400 V AC or multi voltage ( $\pm 15$  V AC)
- Output voltage: 24 V AC or 230 V AC
- Ambient temperature: 40 °C

*Page 1.1.1*



#### MST – Isolation class T 40/B

- Nominal power rating: 320...1000 VA
- Input voltage: 230, 400 V AC or multi voltage
- Output voltage: 24 V AC or 230 V AC
- Ambient temperature: 40 °C

*Page 1.1.4*



#### MET – Isolation class T 60/B

- Nominal power rating: 500...5000 VA
- Input voltage: 230 V AC  $\pm 5\%$ , 400 V AC  $\pm 5\%$ , 240/415 V AC  $\pm 5\%$
- Output voltage: 24, 230, 110/240 V AC
- Ambient temperature: 60 °C

*Page 1.1.7*



#### MTL – Isolation class T 60/B

- Nominal power rating: 25...2500 VA
- Input voltage: 230/400 V AC  $\pm 15$  V AC
- Output voltage: 2 x 24 V AC or 2 x 115 V AC
- Ambient temperature: 60 °C

*Page 1.1.11*

# TRANSFORMERS

1-/2-phase

– INPUT: 230/400 V AC

– Isolation class T 40/B

Approvals:  

**MTS**

OUTPUT: 230 V AC  
Screw terminals



**MTS**

OUTPUT: 230 V AC  
Spring clamp terminals

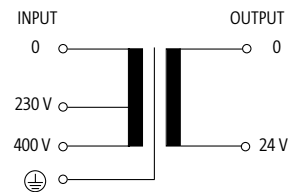
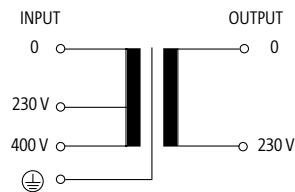
**MTS**

OUTPUT: 24 V AC  
Screw terminals

**MTS**

OUTPUT: 24 V AC  
Spring clamp terminals

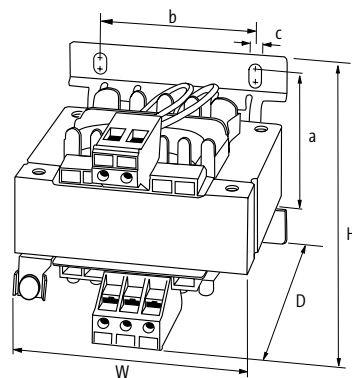
## Circuit diagram



Order Data	HxWxD/kg	Art-No.	HxWxD/kg	Art-No.	HxWxD/kg	Art-No.	HxWxD/kg	Art-No.
40 VA	79x78x93/0.8	<b>86346</b>	79x78x93/0.8	<b>6686346</b>	79x78x93/0.8	<b>86340</b>	79x78x93/0.8	<b>6686340</b>
63 VA	79x78x93/1.2	<b>86347</b>	79x78x93/1.2	<b>6686347</b>	79x78x93/1.2	<b>86341</b>	79x78x93/1.2	<b>6686341</b>
100 VA	86x84x98/2.0 – GL	<b>86348</b>	86x84x98/2.0	<b>6686348</b>	86x84x98/2.0 – GL	<b>86342</b>	86x84x98/2.0	<b>6686342</b>
160 VA	101x96x106/2.7 – GL	<b>86349</b>	101x96x106/2.7	<b>6686349</b>	101x96x106/2.7 – GL	<b>86343</b>	101x96x106/2.7	<b>6686343</b>
250 VA	102x96x108/3.5 – GL	<b>86351</b>	102x96x108/3.5	<b>6686351</b>	102x96x108/3.5 – GL	<b>86345</b>	102x96x108/3.5	<b>6686345</b>

Input	Output
Frequency	50/60 Hz
Input voltage	230/400 V AC
Output	
Output voltage	230 V AC      24 V AC (SELV)
General data	
Standards	(EN 61558-1), (EN 61558-2-4), (EN 62041 category 0)      (EN 61558-1), (EN 61558-2-6), (EN 62041 category 0)
Test isolation voltage	4 kV (prim./sec.)
Temperature range	-20...+40 °C, no condensation
Mounting method	Long-hole mounting or DIN-rail mountable TH35 (EN 60715)

## Dimension drawing



Murrelektronik Online Shop  
[onlineshop.murrelektronik.com/en](http://onlineshop.murrelektronik.com/en)

Notes
GL-Approval from 100 VA and with screw terminals

# TRANSFORMERS

1-/2-phase

– INPUT: 230/400 ±15 V AC

– Isolation class T 40/B

Approvals:  

**MTS+**

OUTPUT: 230 V AC  
Screw terminals



**MTS+**

OUTPUT: 230 V AC  
Spring clamp terminals



**MTS+**

OUTPUT: 24 V AC  
Screw terminals

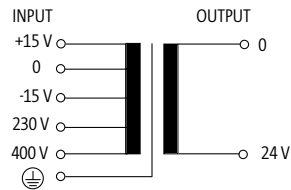
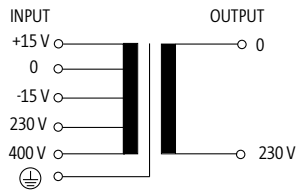


**MTS+**

OUTPUT: 24 V AC  
Spring clamp terminals



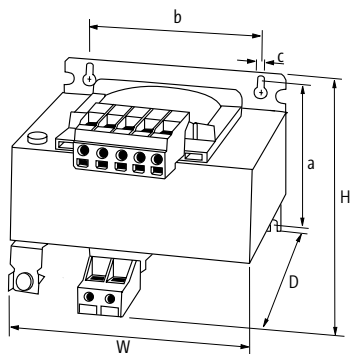
## Circuit diagram



Order Data	HxWxD/kg	Art-No.	HxWxD/kg	Art-No.	HxWxD/kg	Art-No.	HxWxD/kg	Art-No.
40 VA	79x78x93/0.8	86366	79x78x93/0.8	6686366	79x78x93/0.8	86360	79x78x93/0.8	6686360
63 VA	79x78x93/1.2	86367	79x78x93/1.2	6686367	79x78x93/1.2	86361	79x78x93/1.2	6686361
100 VA	86x84x98/2.0 – GL	86368	86x84x98/2.0	6686368	86x84x98/2.0 – GL	86362	86x84x98/2.0	6686362
160 VA	101x96x106/2.7 – GL	86369	101x96x106/2.7	6686369	101x96x106/2.7 – GL	86363	101x96x106/2.7	6686363
250 VA	102x96x108/3.5 – GL	86371	102x96x108/3.5	6686371	102x96x108/3.5 – GL	86365	102x96x108/3.5	6686365

Input		
Input voltage	230/400 ±15 V AC	
Frequency	50/60 Hz	
Output		
Output voltage	230 V AC	24 V AC (SELV)
General data		
Standards	(EN 61558-1), (EN 61558-2-4), (EN 62041 category 0)	
Test isolation voltage	4 kV (prim./sec.)	
Temperature range	-20...+40 °C, no condensation	
Mounting method	Long-hole mounting or DIN-rail mountable TH35 (EN 60715)	

## Dimension drawing



Murrelektronik Online Shop  
[onlineshop.murrelektronik.com/en](http://onlineshop.murrelektronik.com/en)

## Notes

GL-Approval from 100 VA and with screw terminals

# TRANSFORMERS

1-/2-phase

– Multi voltage output

– Isolation class T 40/B

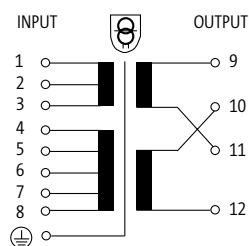
Approvals:  

## MTS Multi

OUTPUT: 2 × 115 V AC/230 V AC  
Screw terminals



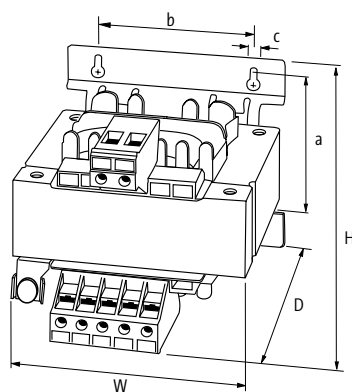
### Circuit diagram



Order Data	H×W×D/kg	Art-No.
25 VA	90×78×102/0.7	86140
40 VA	88×78×93/1.1	86141
63 VA	97×78×93/1.4	86142
100 VA	105×84×98/2.0 – GL	86143
160 VA	101×96×106/2.7 – GL	86144

Input	
Input voltage	208, 230, 380, 400, 440, 460, 480, 500, 525, 550 V AC
Frequency	50/60 Hz
Output	
Output voltage	2 × 115 V AC/230 V AC
General data	
Standards	(EN 61558-1), (EN 61558-2-4), (EN 62041 category 0)
Test isolation voltage	4 kV (prim./sec.)
Temperature range	-20...+40 °C, no condensation
Mounting method	Long-hole mounting or DIN-rail mountable TH35 (EN 60715)

### Dimension drawing



Murrelektronik Online Shop  
[onlineshop.murrelektronik.com/en](http://onlineshop.murrelektronik.com/en)

Notes
GL-Approval from 100 VA and with screw terminals

# TRANSFORMERS

1-/2-phase

– INPUT: 230/400 V AC

– Isolation class T 40/B

Approvals:  

**MST**

OUTPUT: 230 V AC  
Screw terminals



**MST**

OUTPUT: 230 V AC  
Spring clamp terminals

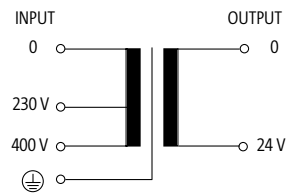
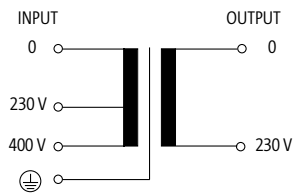
**MST**

OUTPUT: 24 V AC  
Screw terminals

**MST**

OUTPUT: 24 V AC  
Spring clamp terminals

## Circuit diagram



Order Data	HxWxD/kg	Art-No.	HxWxD/kg	Art-No.	HxWxD/kg	Art-No.	HxWxD/kg	Art-No.
320 VA	92x120x122/4.2 – GL	<b>86306</b>	92x120x122/4.2	<b>6686306</b>	92x120x122/4.2 – GL	<b>86326</b>	92x120x122/4.2	<b>6686326</b>
400 VA	104x120x122/5.2 – GL	<b>86307</b>	104x120x122/5.2	<b>6686307</b>	104x120x122/5.2 – GL	<b>86327</b>	104x120x122/5.2	<b>6686327</b>
500 VA	108x135x134/6.5 – GL	<b>86308</b>	108x135x134/6.5	<b>6686308</b>	108x135x134/6.5 – GL	<b>86328</b>		
630 VA	113x150x145/7.7 – GL	<b>86309</b>	113x150x145/7.7	<b>6686309</b>	113x150x145/7.7 – GL	<b>86329</b>		
800 VA	129x150x145/10.1 – GL	<b>86310</b>	129x150x145/10.1	<b>6686310</b>	136x150x149/10.1 – GL	<b>86330</b>		
1000 VA	128x174x160/12.3 – GL	<b>86311</b>	128x174x160/12.3	<b>6686311</b>	133x174x165/12.3 – GL	<b>86331</b>		

## Input

Input voltage 230/400 V AC  
Frequency 50/60 Hz

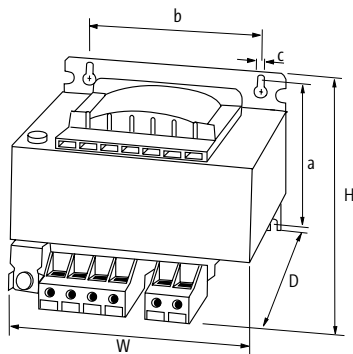
## Output

Output voltage 230 V AC 24 V AC (SELV)

## General data

Standards (EN 61558-1), (EN 61558-2-4), (EN 62041 category 0) (EN 61558-1), (EN 61558-2-6), (EN 62041 category 0)  
Test isolation voltage 4 kV (prim./sec.)  
Temperature range -20...+40 °C, no condensation  
Mounting method Key-hole mounting

## Dimension drawing



Murrelektronik Online Shop  
[onlineshop.murrelektronik.com/en](http://onlineshop.murrelektronik.com/en)

## Notes

# TRANSFORMERS

1-/2-phase

– INPUT: 230/400 ±15 V AC

– Isolation class T 40/B

Approvals:   

**MST+**

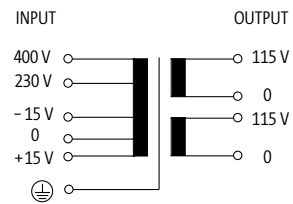
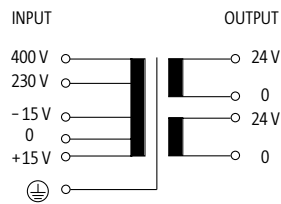
OUTPUT: 24 V AC, 48 V AC  
Screw terminals



**MST+**

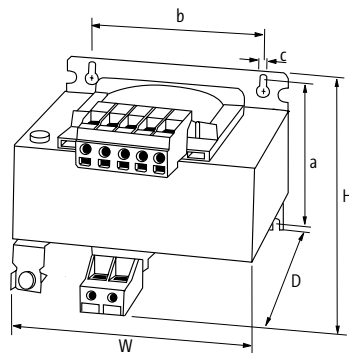
OUTPUT: 115 V AC, 230 V AC  
Screw terminals

## Circuit diagram



Order Data	H×W×D/kg	Art-No.	H×W×D/kg	Art-No.
630 VA	121×150×165/8.0	<b>86463</b>	113×150×146/8.2	<b>86483</b>
1000 VA	156×150×197/13.5	<b>86464</b>	156×150×146/13.5	<b>86484</b>
1600 VA	168×174×222/19.5	<b>86465</b>	168×174×163/19.5	<b>86485</b>
2500 VA	182×192×242/27.0	<b>86466</b>	182×192×196/27.0	<b>86486</b>

Input	
Input voltage	230/400 ±15 V AC
Frequency	50/60 Hz
Output	
Output voltage	1 × 24, 1 × 48, 2 × 24 V AC      1 × 230, 1 × 115, 2 × 115 V AC
General data	
Standards	(EN 61558-1), (EN 61558-2-4), (EN 62041 category 0)
Test isolation voltage	5.8 kV (prim./sec.)
Temperature range	-20...+40 °C, no condensation
Mounting method	Key-hole mounting
Dimension drawing	



Murrelektronik Online Shop  
[onlineshop.murrelektronik.com/en](https://onlineshop.murrelektronik.com/en)

## Notes

# TRANSFORMERS

1-/2-phase

– INPUT: 208...520 V AC

– Isolation class T 40/B

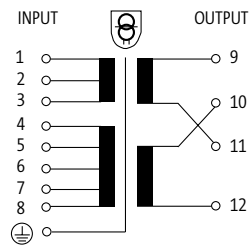
Approvals:   

## MST Multi

OUTPUT: 2 × 115 V AC/230 V AC  
Screw terminals



### Circuit diagram



Order Data	H×W×D/kg	Art-No.
250 VA	104×120×122/4.0	86145
320 VA	115×135×132/5.8	86146
400 VA	115×135×132/6.2	86147
500 VA	108×135×134/6.5	86148
800 VA	129×150×145/10.1	86150
1000 VA	128×174×160/12.3	86151
1600 VA	128×174×160/12.3	86152
2000 VA	128×174×160/12.3	86153
2500 VA	200×195×217/26.3	86154
3000 VA	250×197×193/29.5	86155
5000 VA	248×147×250/37.0	86157

### Input

Input voltage 208, 230, 380, 400, 440, 460, 480, 500, 525, 550 V AC  
Frequency 50/60 Hz

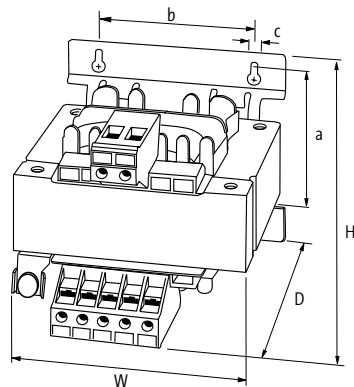
### Output

Output voltage 2 × 115 V AC/230 V AC

### General data

Standards (EN 61558-1), (EN 61558-2-4), (EN 62041 category 0)  
Test isolation voltage 4 kV (prim./sec.)  
Temperature range -20...+40 °C, no condensation  
Mounting method Key-hole mounting

### Dimension drawing



Murrelektronik Online Shop  
[onlineshop.murrelektronik.com/en](http://onlineshop.murrelektronik.com/en)

### Notes

# TRANSFORMERS

1-/2-phase

– OUTPUT: 230 V AC

– Isolation class T 60/B

Approvals:

**MET**

INPUT: 230 V AC ±5 %  
Screw terminals



**MET**

INPUT: 230 V AC ±5 %  
Spring clamp terminals

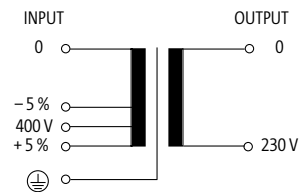
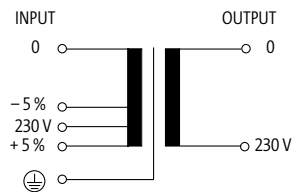
**MET**

INPUT: 400 V AC ±5 %  
Screw terminals

**MET**

INPUT: 400 V AC ±5 %  
Spring clamp terminals

## Circuit diagram



Order Data	HxWxD/kg	Art-No.	HxWxD/kg	Art-No.	HxWxD/kg	Art-No.	HxWxD/kg	Art-No.
500 VA	113x150x146/6.8 – GL	<b>86020</b>	113x150x146/6.8	<b>6686020</b>	113x150x146/6.8 – GL	<b>86021</b>	113x150x146/6.8	<b>6686021</b>
630 VA	131x150x148/8.2 – GL	<b>86030</b>	131x150x148/8.2	<b>6686030</b>	130x150x146/8.2 – GL	<b>86031</b>	130x150x146/8.2	<b>6686031</b>
800 VA	118x175x160/11.2 – GL	<b>86040</b>	118x175x160/11.2	<b>6686040</b>	118x175x160/11.2 – GL	<b>86041</b>	118x175x160/11.2	<b>6686041</b>
1000 VA	138x174x160/14.8 – GL	<b>86050</b>	138x174x160/14.8	<b>6686050</b>	138x174x160/14.8 – GL	<b>86051</b>	138x174x160/14.8	<b>6686051</b>
1500 VA	168x174x162/21.0 – GL	<b>86060</b>	168x174x162/21.0	<b>6686060</b>	168x174x162/21.0 – GL	<b>86061</b>	168x174x162/21.0	<b>6686061</b>

Input	
Input voltage	230 V AC ±5 %
Frequency	50/60 Hz

Output	
Output voltage	230 V AC

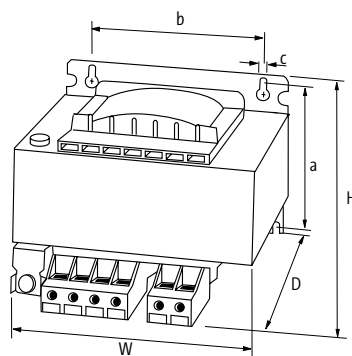
General data	
Standards	(EN 61558-1), (EN 61558-2-4), (EN 62041 category 0)

Test isolation voltage	4 kV (prim./sec.)
------------------------	-------------------

Temperature range	-20...+60 °C, no condensation
-------------------	-------------------------------

Mounting method	Key-hole mounting
-----------------	-------------------

## Dimension drawing



Murrelektronik Online Shop  
[onlineshop.murrelektronik.com/en](http://onlineshop.murrelektronik.com/en)

## Notes



# TRANSFORMERS

1-/2-phase

– OUTPUT: 110/240 V AC

– Isolation class T 60/B

Approvals:  

**MET**

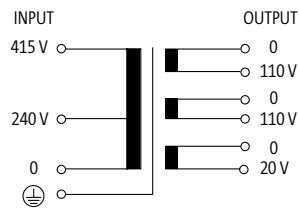
INPUT: 240/415 V AC  
Screw terminals



**MET**

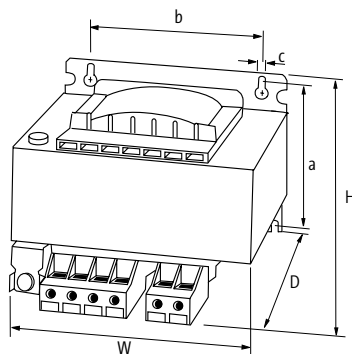
INPUT: 240/415 V AC  
Spring clamp terminals

## Circuit diagram



Order Data	HxWxD/kg	Art-No.	HxWxD/kg	Art-No.
500 VA	113x150x170/6.8 – GL	<b>86025</b>	113x150x170/6.8	<b>6686025</b>
630 VA	129x150x148/8.2 – GL	<b>86035</b>	129x150x148/8.2	<b>6686035</b>
800 VA	118x174x148/11.2 – GL	<b>86045</b>	118x174x148/11.2	<b>6686045</b>
1000 VA	138x174x160/14.8 – GL	<b>86055</b>	138x174x160/14.8	<b>6686055</b>

Input	
Input voltage	240/415 V AC
Output	
Output voltage	110/240 V AC
General data	
Standards	(EN 61558-1), (EN 61558-2-4), (EN 62041 category 0)
Test isolation voltage	4 kV (prim./sec.)
Temperature range	-20...+60 °C, no condensation
Mounting method	Key-hole mounting
Dimension drawing	



Murrelektronik Online Shop  
[onlineshop.murrelektronik.com/en](http://onlineshop.murrelektronik.com/en)

## Notes

# TRANSFORMERS

1-/2-phase

– OUTPUT: 230 V AC

– Isolation class T 40/B

Approvals:

**MET**

INPUT: 230 V AC  
Screw terminals

**MET**

INPUT: 230 V AC  
Spring clamp terminals

**MET**

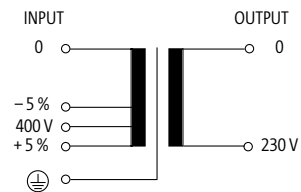
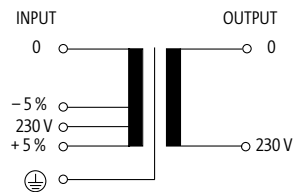
INPUT: 400 V AC  
Screw terminals

**MET**

INPUT: 400 V AC  
Spring clamp terminals

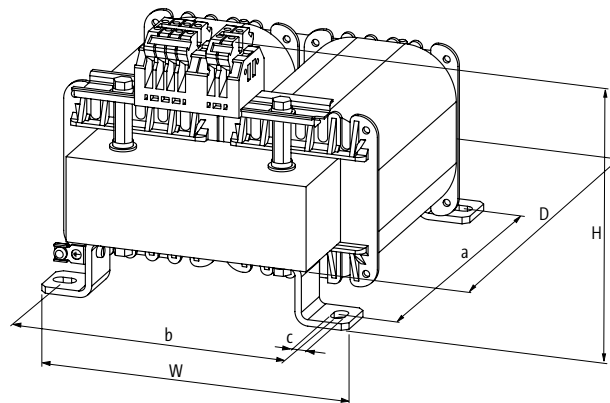


## Circuit diagram



Order Data	HxWxD/kg	Art-No.	HxWxD/kg	Art-No.	HxWxD/kg	Art-No.	HxWxD/kg	Art-No.
2000 VA	170x195x250/24.0 – GL	<b>86070</b>	170x195x250/24.0	<b>6686070</b>	170x195x250/24.0 – GL	<b>86071</b>	170x195x250/24.0	<b>6686071</b>
3000 VA	195x198x250/30.0 – GL	<b>86090</b>	195x198x250/30.0	<b>6686090</b>	195x198x250/30.0 – GL	<b>86091</b>	195x198x250/30.0	<b>6686091</b>
4000 VA	206x198x250/32.0 – GL	<b>86110</b>	206x198x250/32.0	<b>6686110</b>	206x198x250/32.0 – GL	<b>86111</b>	206x198x250/32.0	<b>6686111</b>
5000 VA	225x198x250/40.0 – GL	<b>86130</b>	225x198x250/40.0	<b>6686130</b>	225x198x250/40.0 – GL	<b>86131</b>	225x198x250/40.0	<b>6686131</b>

Input	
Input voltage	230 V AC ±5 %
Frequency	50/60 Hz
Output	
Output voltage	230 V AC
General data	
Standards	(EN 61558-1), (EN 61558-2-4), (EN 62041 category 0)
Test isolation voltage	4 kV (prim./sec.)
Temperature range	-20...+40 °C, no condensation
Mounting method	Long-hole mounting
Dimension drawing	



Murrelektronik Online Shop  
[onlineshop.murrelektronik.com/en](https://onlineshop.murrelektronik.com/en)

## Notes

# TRANSFORMERS

1-/2-phase

– OUTPUT: 24 V AC

– Isolation class T 60/B

Approvals:   

**MET**

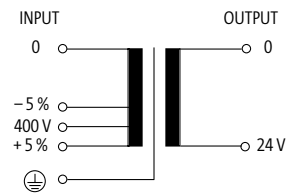
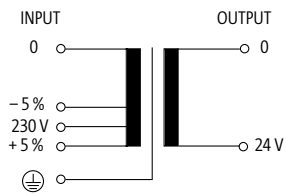
INPUT: 230 V AC  
Screw terminals



**MET**

INPUT: 400 V AC  
Screw terminals

## Circuit diagram



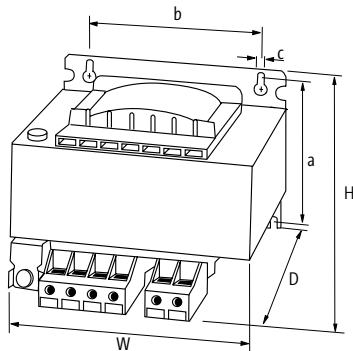
Order Data	HxWxD/kg	Art-No.	HxWxD/kg	Art-No.
500 VA	113x150x146/6.8	<b>86023</b>	113x150x146/6.8	<b>86024</b>
630 VA	129x150x148/8.2	<b>86033</b>	129x150x148/8.2	<b>86034</b>
800 VA	117x174x160/11.2	<b>86043</b>	117x174x160/11.2	<b>86044</b>
1000 VA	137x174x160/14.8	<b>86053</b>	137x174x160/14.8	<b>86054</b>

Input		
Input voltage	230 V AC $\pm 5\%$	400 V AC $\pm 5\%$
Frequency	50/60 Hz	

Output	
Output voltage	24 V AC (SELV)

General data	
Standards	(EN 61558-1), (EN 61558-2-6), (EN 62041 category 0)
Test isolation voltage	4 kV (prim./sec.)
Temperature range	-20...+60 °C, no condensation
Mounting method	Key-hole mounting

## Dimension drawing



Murrelektronik Online Shop  
[onlineshop.murrelektronik.com/en](https://onlineshop.murrelektronik.com/en)

## Notes

# TRANSFORMERS

1-/2-phase

– INPUT: 230/400 ±15 V AC

– Isolation class T 60/B

Approvals:   



## MTL

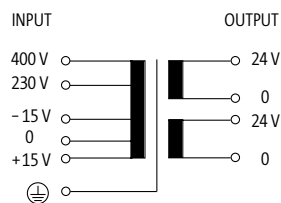
OUTPUT: 24 V AC, 48 V AC  
Screw terminals



## MTL

OUTPUT: 115 V AC, 230 V AC  
Screw terminals

### Circuit diagram



Order Data	H×W×D/kg	Art-No.	H×W×D/kg	Art-No.
25 VA	108×87×98/1.1	<b>86450</b>	108×87×98/1.1	<b>86470</b>
40 VA	108×87×104/1.4	<b>86451</b>	108×87×104/1.4	<b>86471</b>
63 VA	108×87×116/2.0	<b>86452</b>	108×87×116/2.0	<b>86472</b>
100 VA	108×87×139/2.9	<b>86453</b>	108×87×139/2.9	<b>86473</b>
160 VA	153×123×128/4.4	<b>86454</b>	153×123×128/4.4	<b>86474</b>
250 VA	153×123×142/5.7	<b>86455</b>	153×123×142/5.7	<b>86475</b>
320 VA	153×123×160/7.2	<b>86456</b>	153×123×160/7.2	<b>86476</b>

### Accessories

Accessories	Art-No.
Label plates for MTL/MTPS	<b>89661</b>
Jumper	<b>89660</b>

### Technical Data

LED display LED (green) for input voltage

### Input

Input voltage 230/400 ±15 V AC  
Frequency 50/60 Hz

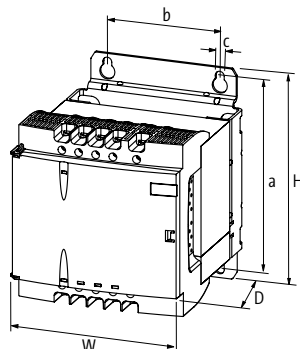
### Output

Output voltage 1 × 24, 1 × 48, 2 × 24 V AC      1 × 230, 1 × 115, 2 × 115 V AC

### General data

Standards (EN 61558-2-4), (EN 61558-2-6), (EN 62041 category 0)      (EN 61558-1), (EN 61558-2-4), (EN 62041 category 0)  
Test isolation voltage 5.1 kV (prim./sec.)      4 kV (prim./sec.)  
Temperature range -20...+60 °C, no condensation  
Mounting method DIN-rail mountable TH35-15 (EN 60715) or for key-hole mounting

### Dimension drawing



Murrelektronik Online Shop  
[onlineshop.murrelektronik.com/en](http://onlineshop.murrelektronik.com/en)

### Notes

# TRANSFORMERS

1-/2-phase

– INPUT: 230/400 ±15 V AC

– Isolation class T 60/B

Approvals:  

**MTL**

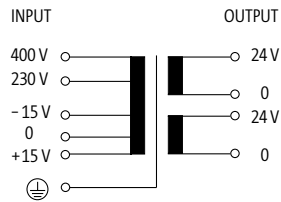
OUTPUT: 24 V AC, 48 V AC  
Screw terminals



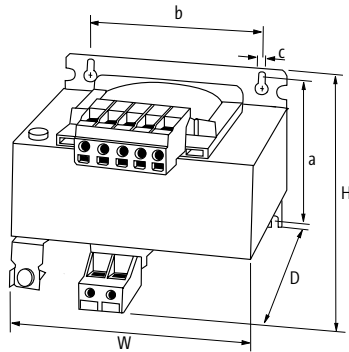
**MTL**

OUTPUT: 24 V AC, 48 V AC  
Spring clamp terminals

## Circuit diagram



Order Data	HxWxD/kg	Art-No.	HxWxD/kg	Art-No.
400 VA	113x150x160/7.5 – ENEC, GL	86457	113x150x160/7.5	6686457
<b>Input</b>				
Input voltage	230/400 ±15 V AC			
Frequency	50/60 Hz			
<b>Output</b>				
Output voltage	1 × 24, 1 × 48, 2 × 24 V AC			
<b>General data</b>				
Standards	(EN 61558-2-4), (EN 61558-2-6), (EN 62041 category 0)			
Test isolation voltage	5.1 kV (prim./sec.)			
Temperature range	-20...+60 °C, no condensation			
Mounting method	DIN-rail mountable TH35-15 (EN 60715) or for key-hole mounting			
<b>Dimension drawing</b>				



Murrelektronik Online Shop  
[onlineshop.murrelektronik.com/en](http://onlineshop.murrelektronik.com/en)

## Notes

# TRANSFORMERS

1-/2-phase

– INPUT: 230/400 ±15 V AC

– Isolation class T 60/B

Approvals:  

**MTL**

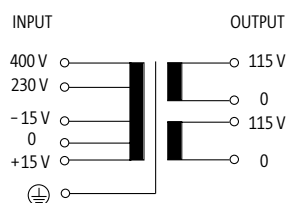
OUTPUT: 115 V AC, 230 V AC  
Screw terminals



**MTL**

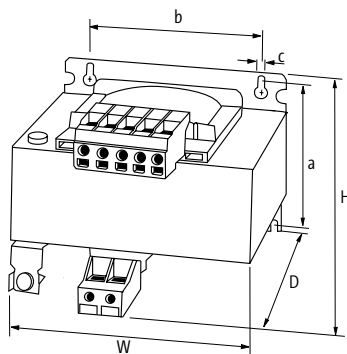
OUTPUT: 115 V AC, 230 V AC  
Spring clamp terminals

## Circuit diagram



Order Data	H×W×D/kg	Art-No.	H×W×D/kg	Art-No.
400 VA	113×151×146/7.4 – ENEC, GL	86477	113×151×146/7.4	6686477
<b>Input</b>				
Input voltage	230/400 ±15 V AC			
Frequency	50/60 Hz			
<b>Output</b>				
Output voltage	1 × 230, 1 × 115, 2 × 115 V AC			
<b>General data</b>				
Standards	(EN 61558-1), (EN 61558-2-4), (EN 62041 category 0)			
Test isolation voltage	4 kV (prim./sec.)			
Temperature range	-20...+60 °C, no condensation			
Mounting method	DIN-rail mountable TH35-15 (EN 60715) or for key-hole mounting			

## Dimension drawing



Murrelektronik Online Shop  
[onlineshop.murrelektronik.com/en](http://onlineshop.murrelektronik.com/en)

## Notes